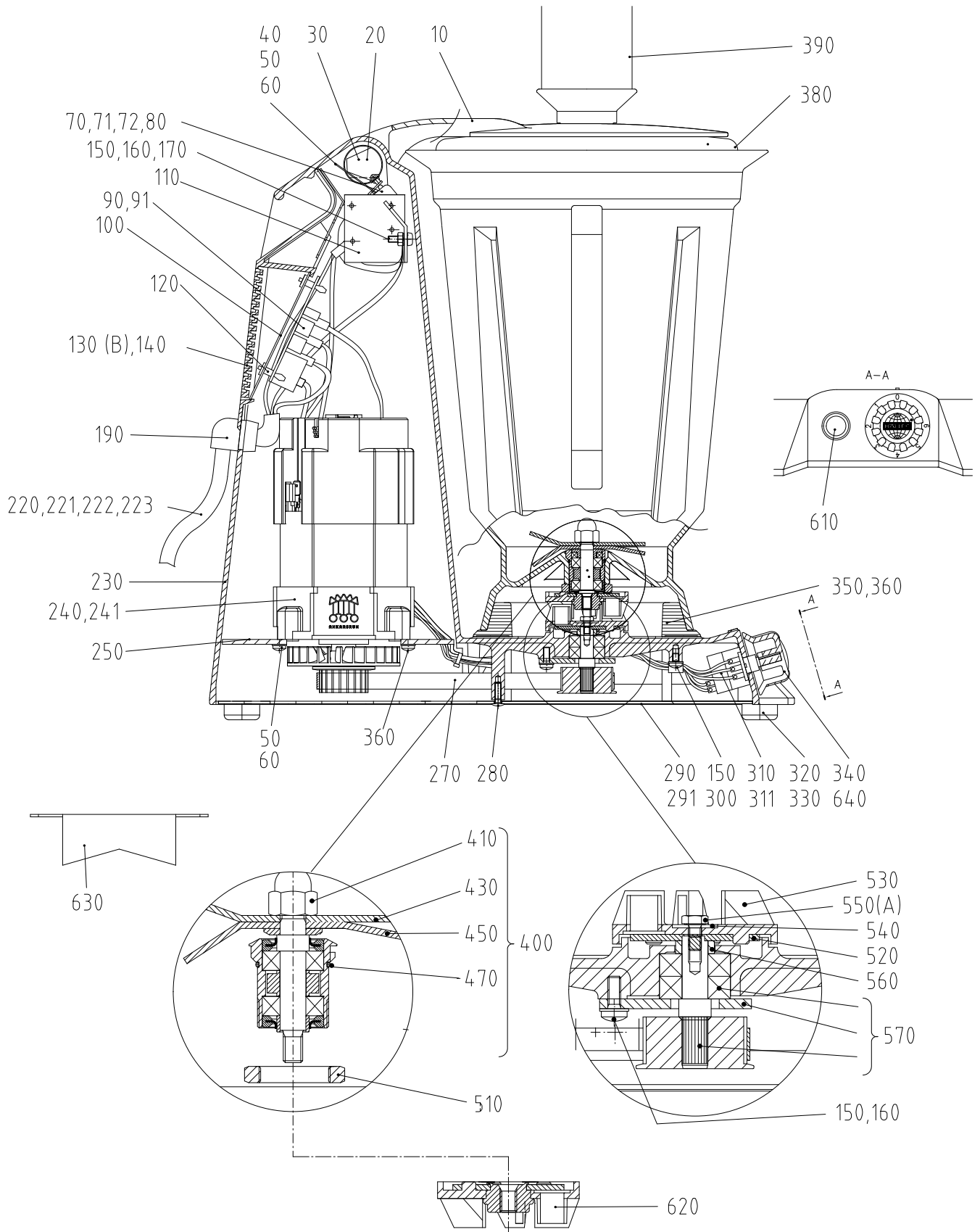


SB-4L-2

No. on drawing	Item No.	Description	Pcs
10	23142	Support, lid	1
20	23171	Plug for camshaft	1
30	23157	Camshaft	1
40	23166	Springblade	1

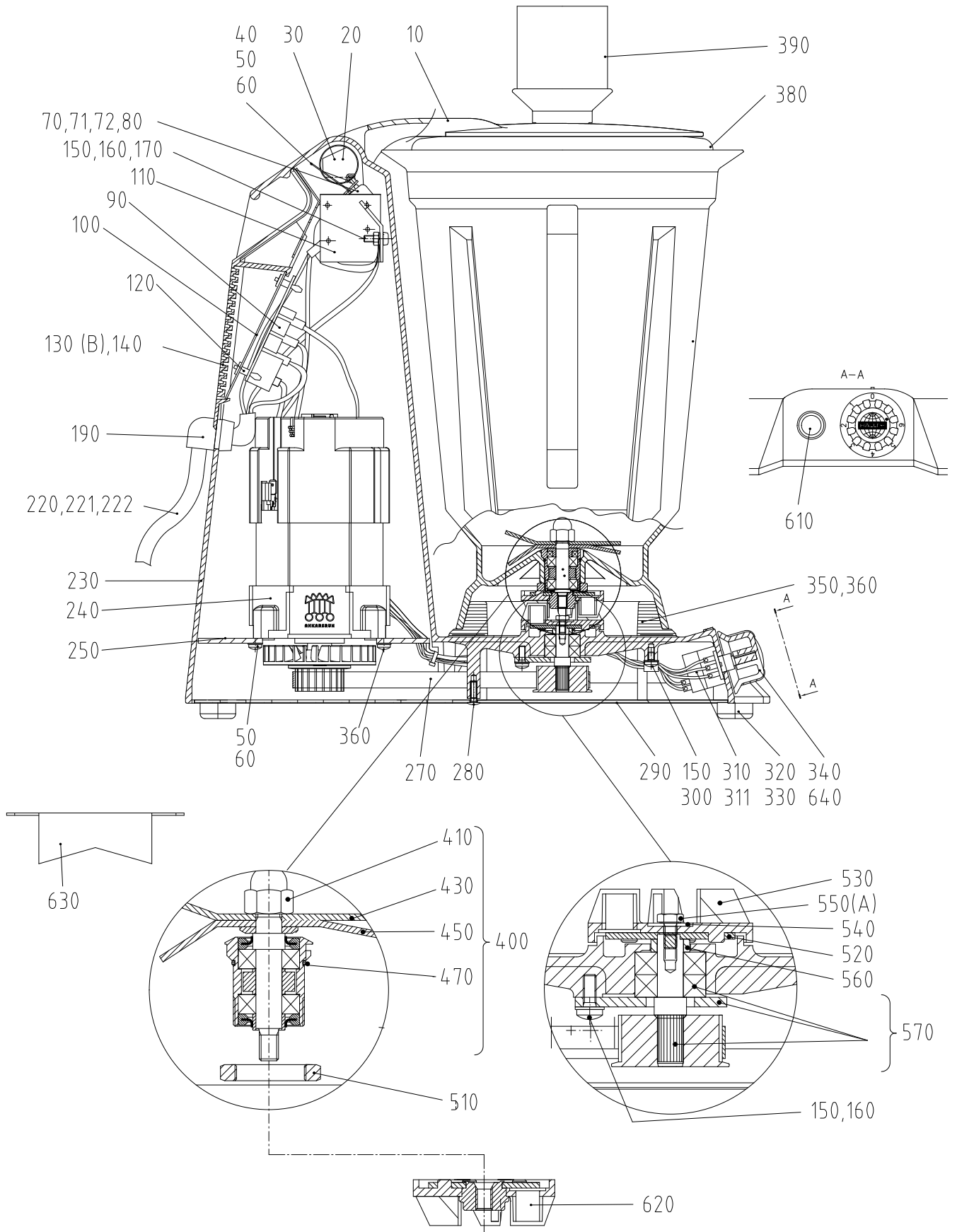


A: LOCTITE NO. 242
 B: SILICONE RTV 108

SB-4L-2

No. on drawing	Item No.	Description	Pcs
50	14339	Screw MRX-H M5X12 A2 70	6
60	14085	Lock washer FBB 5,1 A2	6
70	15565	Micro switch XGT42C-86-S20Z1	1
71	23227	Insulating barrier for switch	1
72	14613	Screw RTK ST2.9X16 A2 70	2
80	14062	Washer BRB 5,3X15X1,2	2
90	24346	Pc-bord SB-4 230 1 50	1
91	23180	PC-board 120V,SB-4	1
100	23314	Protection plate, AM	1
110	23313	Bracket, microswitch 120-240V	1
120	15527	Bracket for PC-board AVC BS-9A	4
130	23145	Louver	1
140	14223	Screw MKFS M4X 10 A2 70	2
150	14851	Screw MRT M4X10 A2	5
160	14084	Lock washer FBB 4.1 A2	4
170	14004	Nut M6M M4 A2 70	1
190	15555	Cable retainer 1397 SR-17-2	1
220	15151	Supply cord CB 1 phase SB-4	1
221	23238	Supply cord 240V AUS	1
222	23239	Supply cord 240V UK	1
223	23237	Supply cord, 100-120V	1
230	23158	Machine housing	1
240	15727	Motor 220-240 1 50/60	1
241	23327	Motor unit 110-120V 50/60	1
250	23315	Motor plate	1
270	15726	Belt megarubber PV J 406	1
280	14424	Screw LSKS M4X12 A2 70	1
290	23312	Protection plate	1
291	23325	Damping 100X230	1
300	15357	Cable clamp	2
310	23197	Potentiometer OMEG	1
311	23184	Insulating barrier f. pot.OMEG	1
320	10507	Foot, rubber BVO 22H10	4
330	40786	Screw for rubberfoot	4
340	23148	Knob,indikator	1
350	23144	Support for bowl	4
360	14753	Screw RT-PTF 5.0X20FZ	4
380	23141	Lid	1
390	23167	Oil dosing bowl	1
400	23308	Knife unit compl.	1
410	14028	Nut MHM M8	1
430	23268	Knife over, MO03	1
450	23269	Knife under, MO03	1
470	10539	O-ring 21.1X1.6	1
510	23231	Nut M22X1	1
520	23161	Washer for coupling	1
530	23173	Coupling, machine	1
540	14078	Washer	1
550	14501	Screw M6S M4X8 A2 70	1
560	23150	Spacer ring L=4	1
570	23326	Drive shaft compl.	1
610	23322	Push button,pulse compl.	1
620	23253	Coupling compl.. M6, JUG	1
630	23248	Knife guard	1
640	24138	Blade spring for knob	1

SB-4L-1



A: LOCTITE NO. 242
 B: SILICONE RTV 108

SB-4L-1

No. on drawing	Item No.	Description	Pcs
10	23142	Support, lid	1
20	23171	Plug for camshaft	1
30	23157	Camshaft	1
40	23166	Springblade	1
50	14339	Screw MRX-H M5X12 A2 70	6
60	14085	Lock washer FBB 5,1 A2	6
70	15565	Micro switch XGT42C-86-S20Z1	1
71	23227	Insulating barrier for switch	1
72	14613	Screw RTK ST2.9X16 A2 70	2
80	14062	Washer BRB 5,3X15X1,2	2
90	24346	Pc-bord SB-4 230 1 50	1
100	23314	Protection plate, AM	1
110	23313	Bracket, microswitch 120-240V	1
120	15527	Bracket for PC-board AVC BS-9A	4
130	23145	Louver	1
140	14223	Screw MKFS M4X 10 A2 70	2
150	14851	Screw MRT M4X10 A2	5
160	14084	Lock washer FBB 4.1 A2	4
170	14004	Nut M6M M4 A2 70	1
190	15555	Cable retainer 1397 SR-17-2	1
220	15151	Supply cord CB 1 phase SB-4	1
221	23238	Supply cord 240V AUS	1
222	23239	Supply cord 240V UK	1
230	23158	Machine housing	1
240	15709	Motor 220-240 1 50/60	1
250	23315	Motor plate	1
270	10551	Belt power grip 5MR 0400 12	1
280	14424	Screw LSKS M4X12 A2 70	1
290	23312	Protection plate	1
300	15357	Cable clamp	2
310	23197	Potentiometer OMEG	1
311	23184	Insulating barrier f. pot.OMEG	1
320	10507	Foot, rubber BVO 22H10	4
330	40786	Screw for rubberfoot	4
340	23148	Knob,indikator	1
350	23144	Support for bowl	4
360	14753	Screw RT-PTF 5.0X20FZ	4
380	23141	Lid	1
390	23167	Oil dosing bowl	1
400	23308	Knife unit compl.	1
410	14028	Nut MHM M8	1
430	23268	Knife over, MO03	1
450	23269	Knife under, MO03	1
470	10539	O-ring 21.1X1.6	1
510	23231	Nut M22X1	1
520	23161	Washer for coupling	1
530	23173	Coupling, machine	1
540	14078	Washer	1
550	14501	Screw M6S M4X8 A2 70	1
560	23150	Spacer ring L=4	1
570	23138	Drive shaft compl.	1
610	23322	Push button,pulse compl.	1
620	23253	Coupling compl.. M6, JUG	1
630	23248	Knife guard	1
640	24138	Blade spring for knob	1